



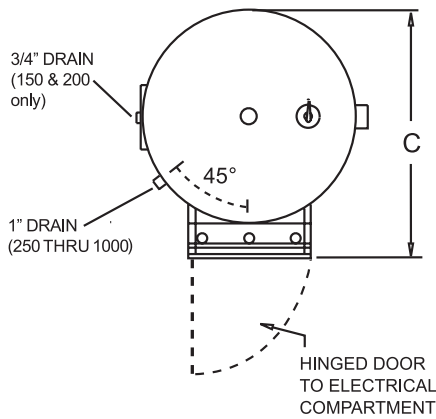
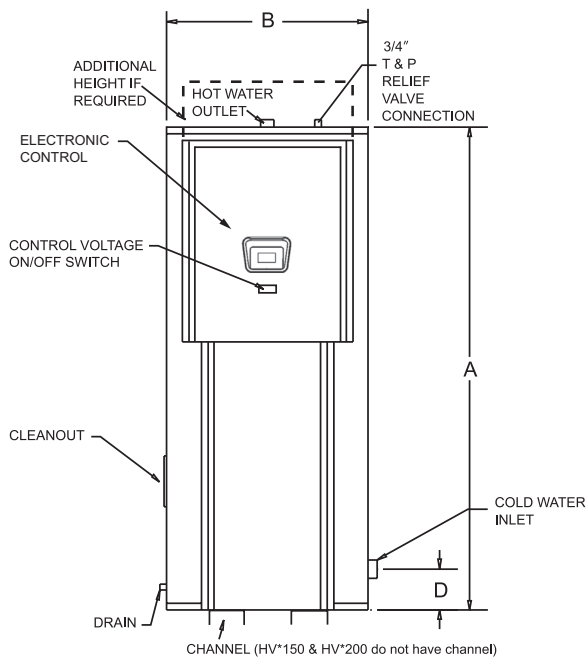
**Custom Hi-Power®
Commercial Electric
Water Heaters**



**150 to 2500 Gallons Storage
Vertical and Horizontal
Energy Saving Performance**

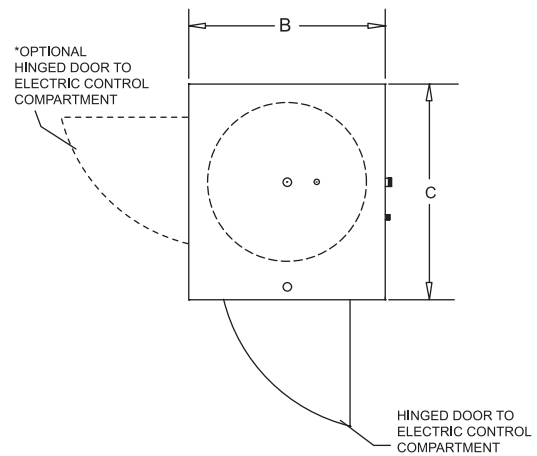
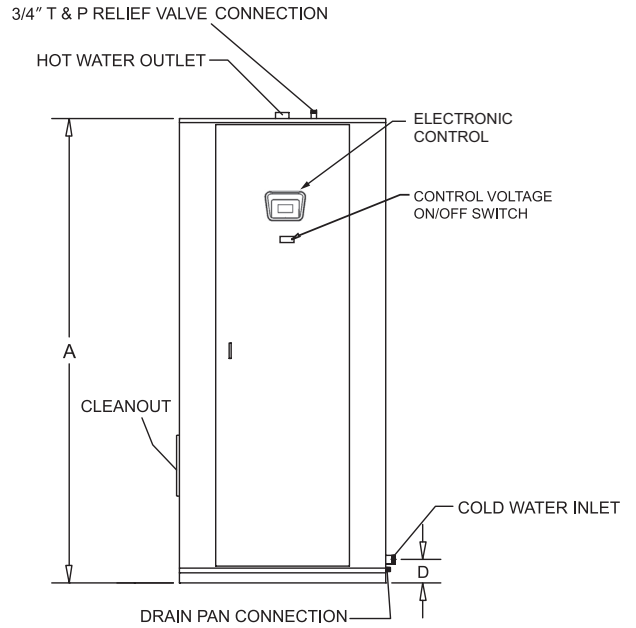
Dimensions

Vertical Round Models 150-1000



TOP VIEW

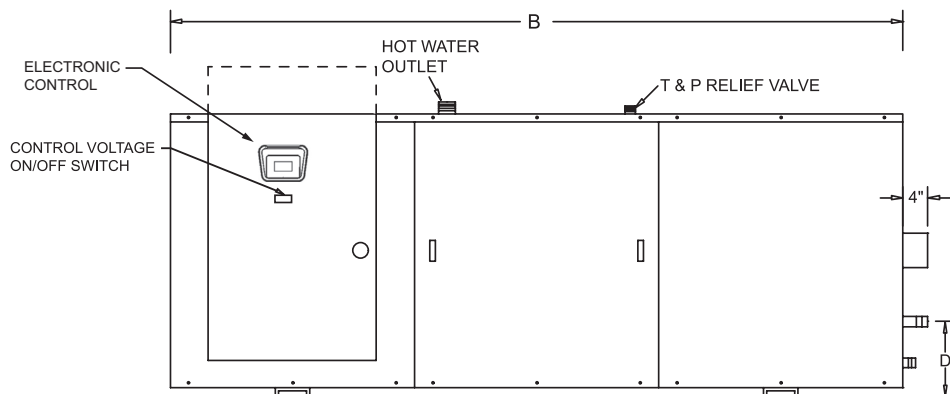
Vertical Square Models 1250-2500



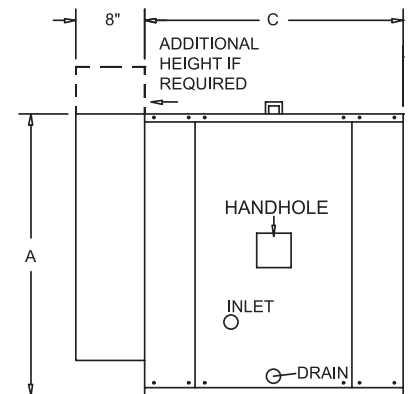
TOP VIEW

*An oversized control panel may be required on models with inputs above 72 kW. An oversized control panel may increase the width and depth of the square jacket by up to 2".

Horizontal Models



A & D ELEVATION FROM FINISHED FLOOR



END VIEW

EXTRA PANEL BOX MAY BE NECESSARY FOR INPUTS HIGHER THAN 72KW. CONSULT FACTORY

Specifications

Model	Max. KW	Gal. Cap.	A	B	C	D	Water Conn.		Shipping Weight (.lbs)
							Inlet	Outlet	
Vertical Round									
CHV*kW-150	144	150	65-1/2"	32"	38-3/4"	7-3/4"	1-1/2"	1-1/2"	650
CHV*kW-200	180	200	78"	32"	38-3/4"	7-3/4"	1-1/2"	1-1/2"	750
CHV*kW-250	216	250	92"	34"	40-3/4"	19-1/2"	1-1/2"	1-1/2"	1,165
CHV*kW-300	270	300	80"	40"	46-3/4"	21"	2"	2"	1,350
CHV*kW-400	360	400	80"	46"	52-3/4"	22-1/2"	2"	2"	1,590
CHV*kW-500	396	500	92"	46"	52-3/4"	22-1/2"	2"	2"	1,700
CHV*kW-600	396	600	92"	52"	60-3/4"	24-1/2"	2-1/2"	2-1/2"	2,010
CHV*kW-800	396	750	104"	52"	60-3/4"	24-1/2"	2-1/2"	2-1/2"	2,450
CHV*kW-1000	396	950	128"	52"	60-3/4"	24-1/2"	2-1/2"	2-1/2"	3,160

On models 250 and up dimensions include channel iron base (not shown).

NOTES: Vertical Round models above 90 kW at 208V or 240V and 162 kW at 380V, 415V, 480V, or 600V exceed the capacity of a single control box and may require multiple control panels. Consult the factory for specific details and optional construction.

Vertical Square construction is available as an option for models that exceed the listed kW limits.

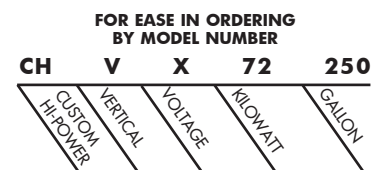
Control panel height on Vertical Round models may exceed tank height – consult factory for specific heights on models with inputs above 72 kW.

Vertical Square									
CHV*kW-1250	900	1,250	132-1/2"	64-1/2"	64-1/2"	23-1/4"	3"	3"	3,560
CHV*kW-1500	900	1,500	128-1/2"	70-1/2"	70-1/2"	25-1/4"	3"	3"	4,120
CHV*kW-2000	900	2,000	124"	78"	82"	27"	3"	3"	4,350
CHV*kW-2500	900	2,500	146-1/2"	82-1/2"	82-1/2"	29"	3"	3"	5,750

Horizontal Square									
CHH*kW-150	144	150	37"	68-1/2"	34-1/4"	12"	2"	2"	1,180
CHH*kW-200	180	200	37"	78"	34-1/4"	12"	2"	2"	1,370
CHH*kW-250	225	250	39"	90-1/4"	36-1/4"	13"	2"	2"	1,450
CHH*kW-300	270	300	45"	78-1/4"	42-1/4"	14-3/4"	2"	2"	1,530
CHH*kW-400	360	400	52"	78-1/4"	48-1/4"	16"	2"	2"	1,750
CHH*kW-500	450	500	52"	90-3/4"	48-1/4"	16"	2"	2"	1,860
CHH*kW-600	540	600	58"	90-3/4"	54-1/4"	13-1/2"	2-1/2"	2"	2,340
CHH*kW-800	720	750	58"	102-1/4"	54-1/4"	13-1/2"	2-1/2"	2"	2,850
CHH*kW-1000	900	950	58"	126-1/4"	54-1/4"	13-1/2"	2-1/2"	2"	3,040
CHH*kW-1250	900	1,250	64"	130-1/4"	60-1/4"	15"	3"	3"	3,750
CHH*kW-1500	900	1,500	70"	126-1/4"	66-1/4"	16"	3"	3"	4,340
CHH*kW-2000	900	2,000	79"	123"	78"	14"	3"	3"	4,580
CHH*kW-2500	900	2,500	82"	144-1/4"	78-1/4"	16-1/2"	3"	3"	6,060

* = Voltage
kW = Kilowatt

VOLTAGE SCHEDULE	
J — 208V 1Ø	Y — 380V 3Ø
K — 208V 3Ø	Q — 400V 3Ø
A — 240V 1Ø	Z — 415V 3Ø
B — 240V 3Ø	X — 480V 3Ø
W — 277V 1Ø	N — 600V 3Ø



This unit is a Custom Hi-Power, Vertical, 480 Volt, Three Phase, 72 Kilowatt, 250 gallon water heater.

Standard Features

- Glass Lined Steel Tank
- Incoloy Heating Elements
- Internal Fusing (above 120 amps)
- Enamel Finished Galvanized Steel Jacket
- Magnesium Tank Saver Anodes
- Immersion Thermostat
- Advanced Electronic Control
- Low Water Cut-Off
- BMS Enable/Disable Contacts
- High Limit w/Manual Reset
- Full Length Hinged Doors with Key Lock
- Terminal Block Connections
- ASME Temperature and Pressure Relief Valve (Supplied but not installed)
- Channel Iron Skid Base (Except 150 & 200 gallon round)
- Approved for 180°F Temperature Operation
- ASME Construction and National Board Listed
- All models meet or exceed ASHRAE energy efficiency standards
- 125 psi Working Pressure
- Handhole/Cleanout
- UL Listed (U.S. and Canada)
- Safety Drain Pan (Square Models)
- 3 Year Limited Tank Warranty
- Control Voltage On/Off Switch w/ Pilot Light

Optional Equipment

- Pilot Lights and Switches
- Manual Limiting Switches
- Alarm Bell
- Shunt Trip Disconnect (Field Installed)
- Lifting Lugs
- Safety Door Interlock
- Temperature and Pressure Gauges
- Manway (250 Gallon and Larger Only)
- 150 psi or 160 psi Working Pressure
- Seismic Attachment Points (250 Gallon and Larger Only) (customer must provide seismic zone or city and state of install)

Standard kW Input & Amperage

kW Input	GPH@ 100°F Rise	Btu/hr Equivalent	Max. No. of Elements	No. of Control Steps	kW Per Element	No. of Contactors 240/480V	Suggested Modulating Control Steps 240/480V	Amperage Draw				
								Single Phase 208V	240V	Three Phase		
								208V	240V	208V	240V	480V
15	62	51,180	1	1	15	2/1	-	72	63	42	36	18
18	74	61,416	1	1	18	2/1	-	87	75	50	44	22
30	123	102,360	2	1	15	2/1	-	144	125	83	72	36
36	148	122,832	2	1	18	4/2	4/2	174	150	100	87	44
45	185	153,540	3	1	15	3/2	3/2	216	188	125	108	54
54	221	184,248	3	1	18	6/2	3/2	260	225	150	130	65
60	246	204,720	4	2	15	12/6	4/3	289	250	167	144	72
72	295	245,664	4	2	18	8/4	4/4	-	-	200	174	87
90	369	307,080	5	2	18	6/3	3/3	-	-	250	217	109
108	443	368,496	6	2	18	12/4	4/4	-	-	300	260	130
120	492	409,440	8	3	15	8/4	4/4	-	-	333	289	144
135	554	460,620	9	3	15	9/6	4/4	-	-	375	325	162
144	590	491,328	8	3	18	16/8	4/4	-	-	400	347	174
162	664	552,744	9	3	18	18/6	8/6	-	-	450	389	195
180	738	614,160	10	4	18	20/10	8/8	-	-	500	434	217
216	886	736,992	12	4	18	24/8	8/8	-	-	600	519	260
234	959	798,408	13	5	18	26/13	8/8	-	-	650	563	282
252	1,033	859,824	14	5	18	28/14	8/8	-	-	700	607	304
270	1,107	921,240	15	5	18	30/10	12/10	-	-	750	649	325
288	1,181	982,656	16	6	18	32/16	12/12	-	-	800	692	347
306	1,255	1,044,072	17	6	18	34/17	12/12	-	-	850	736	368
324	1,328	1,105,488	18	6	18	36/12	12/12	-	-	900	780	390
342	1,402	1,166,904	19	7	18	38/19	12/12	-	-	950	822	412
360	1,476	1,228,320	20	7	18	40/20	12/12	-	-	1,000	865	435
378	1,550	1,289,736	21	7	18	42/14	14/14	-	-	1,050	909	455
396	1,624	1,351,152	22	8	18	44/22	15/16	-	-	1,100	952	477
414	1,697	1,412,568	23	8	18	46/23	16/16	-	-	1,150	995	498
432	1,771	1,473,984	24	8	18	48/16	16/16	-	-	1,200	1,040	520

For KW above 432 or other voltages please consult factory



Lochinvar, LLC
300 Maddox Simpson Parkway
Lebanon, Tennessee 37090
P: 615.889.8900 / F: 615.547.1000
Lochinvar.com

