

Canaletas
SOURCE OF LIFE



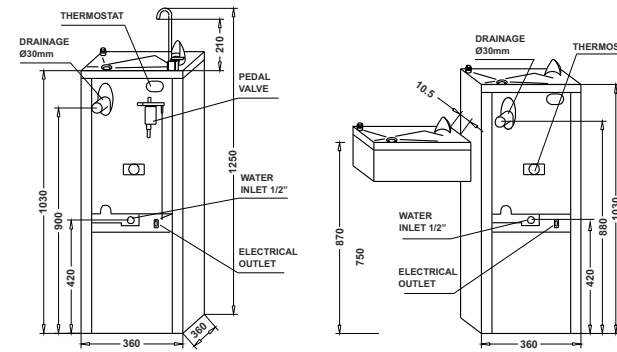
Series 6

Series 6

Drinking fountains.

Offer the most durability, robustness and economical use.

Superior quality, made entirely from stainless steel, including the internal chassis.



Canaletas
SOURCE OF LIFE

Installation by means of three basic connection points.

The installation of a purification filter is highly recommended for better water quality.

10
Year

Internal chassis
WARRANTY



M-66A

- Jet with three water temps.:
- Pedal: Cold.
- Push button: Room temp.
- Pedal + button: Mixed.

Series 6

High quality drinking fountains with many application possibilities. Leader in sales.

Larger dimensions that provide high stability and durability. Possibility to install the GAC filter on the inside for a more compact installation. Great hygienic protection through a special shell with anti-vandalism shield. The water jet height can be easily regulated using the high precision membrane valve. Greater hygiene since the push button is separate from the water jet. Easily regulated cold water temperature (thermostat). There is also the possibility to drink with cups for the models with cup fillers (LV models).

Models



M-66ALV

- Jet with three water temps.:
- Pedal: Cold.
- Push button: Room temp.
- Pedal + button: Mixed.
- Cup filler.



M-6APU

- Cold water jet.
- Push button.



M-6APULV

- Cold water jet.
- Push button.
- Cup filler.



M-6APE

- Cold water jet.
- Pedal.

M-2APE

- Room temp. water.
- Pedal.



M-6APELV

- Cold water jet.
- Pedal.
- Cup filler.



M-6AOP

- Cold water jet.
- Proximity sensor.



M-6APUMV (Special model for the disabled)

- Cold water jet.
- Free standing fountain: push button.
- Disable MV Accessory: proximity sensor.

Accessories

There is a specific catalogue for filters.



PURIFICATION FILTERS :

It is recommended to install an activated carbon purifying filter to obtain water in optimal condition. Consult options.

Technical data

	Series 6
Cooling Power (W)	400
Power consumption (W)	200
Voltage 230V 50Hz single-phase (A) (Consult other options)	0.9
Cooling capacity (Room temp.: 30°C, Input temp.: 27°C, Output temp.: 17°C) (l/h)	35
Water output speed (l/h)	60
Water tank capacity (l) (Optional: Stainless steel cooling system. Direct chill)	4.5
Cold water output temperature (Regulated by thermostat) (°C)	4-11
Refrigerant gas (CFC-free)	R-134a
Dimensions (mm). Height x Width x Depth. Models with LV: +210 mm	1030 x 360 x 360
Net weight (kg)	26

HEADQUARTERS AND FACTORY
Ronda de Llevant, 10
08820 El Prat de Llobregat
Barcelona (Spain)
T. +34 934 358 546
F. +34 934 350 604

INTERNET
www.canaletas.es
www.canaletas.com
info@canaletas.es



98/83/EC